

**CENTURA**

**ONIX<sup>®</sup>**

**Step & Cove**

**Mosaic Finishing Pieces**

# Step & Cove



# Step



Step 50150 Seda Antislip  
2004923 | 830



\*Step 50250 Seda Antislip  
2004919 | 830



Step 50254 Seda Antislip  
2004921 | 830



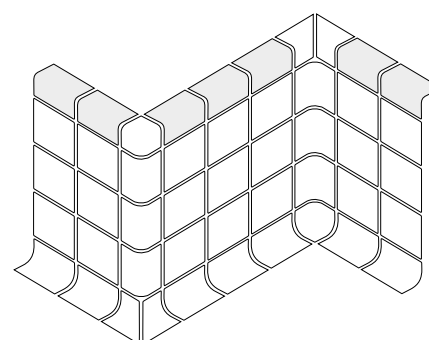
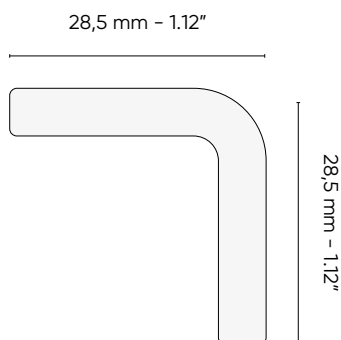
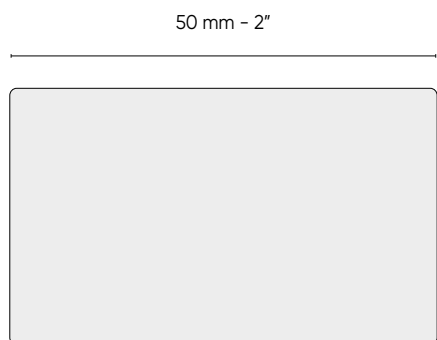
Step Bali Stone Matte  
2005170 | 840



Step 50153 Seda Antislip  
2004890 | 830



Step Luminis White Seda Antislip  
2004911 | 630



# Cove



Cove 50150 Seda Antislip  
2004924 | 830



Cove 50250 Seda Antislip  
2004920 | 830



Cove 50254 Seda Antislip  
2004922 | 830



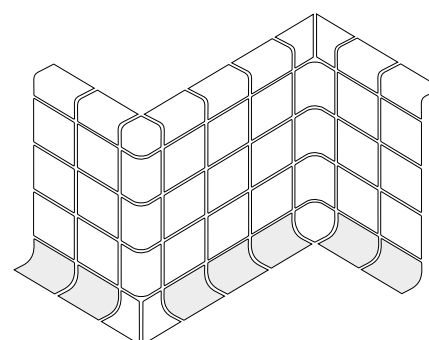
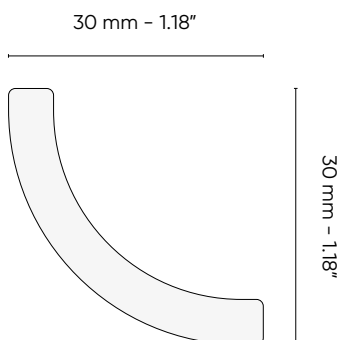
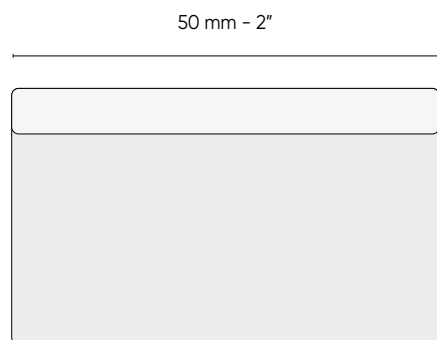
Cove Bali Stone Matte  
2005323 | 840



Cove 50153 Seda Antislip  
2004925 | 830



Cove Luminis White Seda Antislip  
2004926 | 630





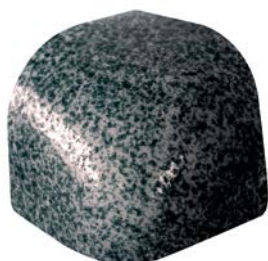


# Special Pieces

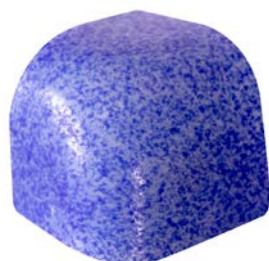


# SP1

These pieces are sold by unit



SP1 50150 Seda Antislip  
2005106 | 155



SP1 50250 Seda Antislip  
2005117 | 155



SP1 50254 Seda Antislip  
2005123 | 155



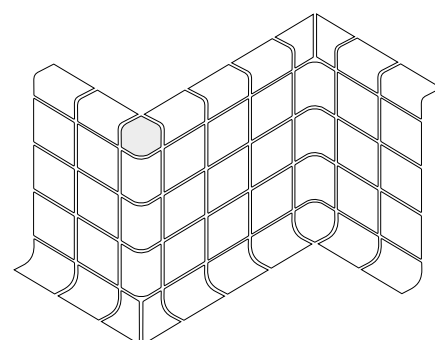
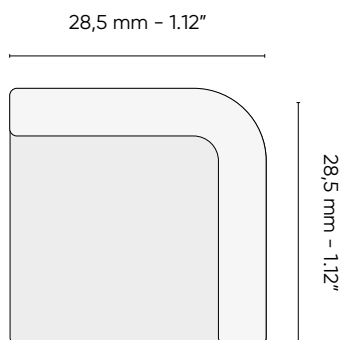
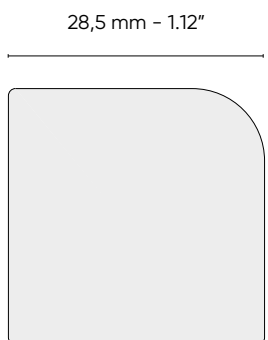
SP1 Bali Stone Matte  
2005324 | 450



SP1 50153 Seda Antislip  
2005107 | 155



SP1 Luminis White Seda Antislip  
2005139 | 160

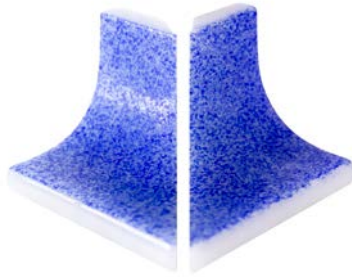


# SP2

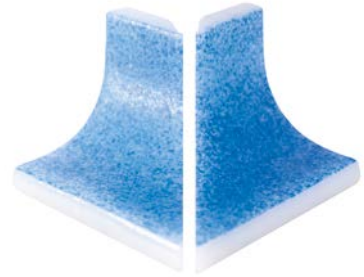
These pieces are sold by unit



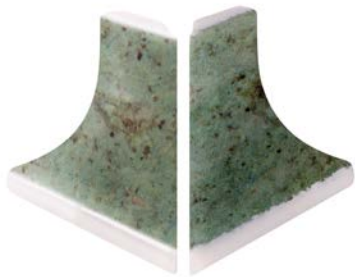
SP2 50150 Seda Antislip  
2005134 | 155



SP2 50250 Seda Antislip  
2005119 | 155



SP2 50254 Seda Antislip  
2005131 | 155



SP2 Bali Stone Matte  
2005325 | 450



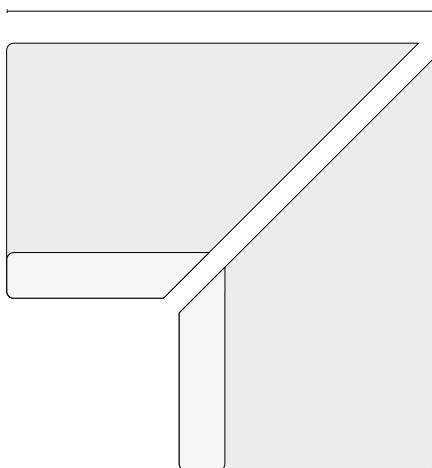
SP2 50153 Seda Antislip  
2005137 | 155



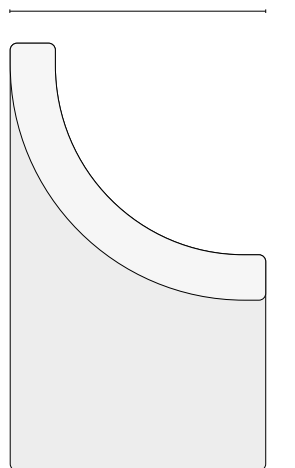
SP2 Luminis White Seda Antislip  
2005140 | 160



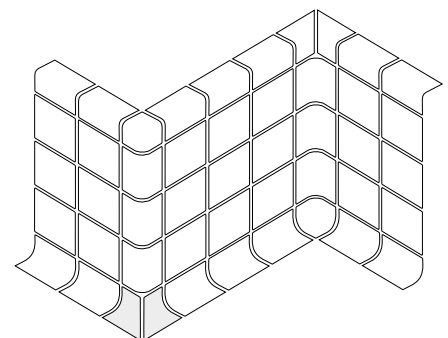
50 mm - 2"



30 mm - 1.18"



50 mm - 2"



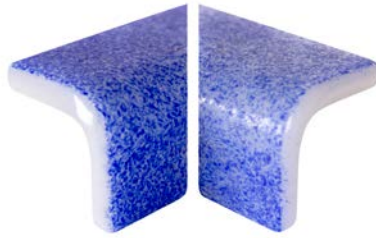


# SP3

These pieces are sold by unit



SP3 50150 Seda Antislip  
2005135 | 155



SP3 50250 Seda Antislip  
2005120 | 155



SP3 50254 Seda Antislip  
2005125 | 155



SP3 Bali Stone Matte  
2005326 | 450



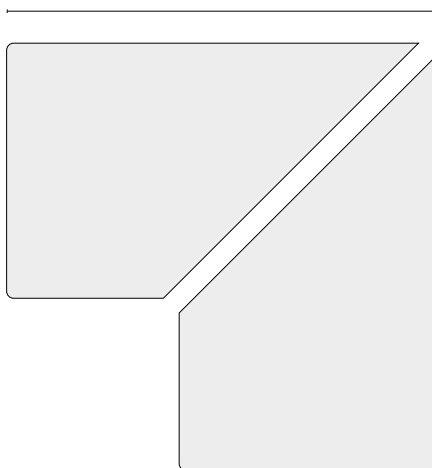
SP3 50153 Seda Antislip  
2005108 | 155



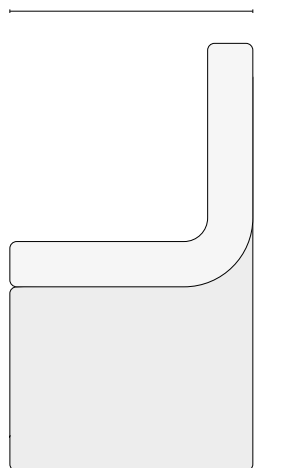
SP3 Luminis White Seda Antislip  
2005141 | 160



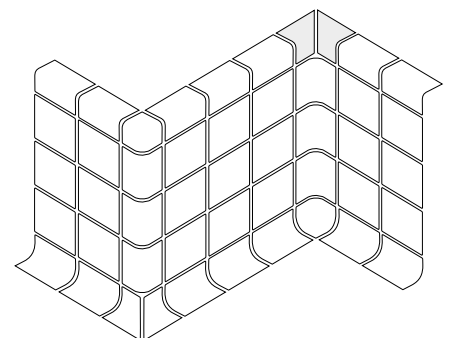
50 mm - 2"



28,5 mm - 1.12"



50 mm - 2"



# SP4

These pieces are sold by unit



SP4 50150 Seda Antislip  
2005109 | 155



SP4 50250 Seda Antislip  
2005111 | 155



SP4 50254 Seda Antislip  
2005124 | 155



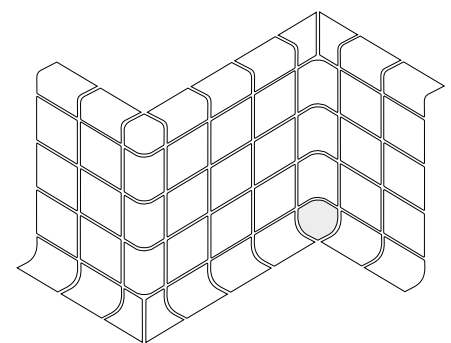
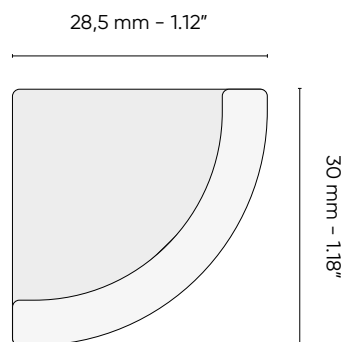
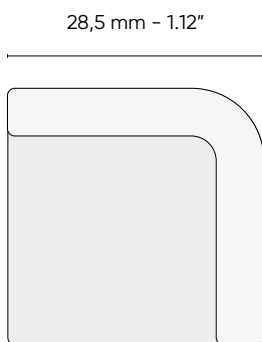
SP4 Bali Stone Matte  
2005327 | 450



SP4 50153 Seda Antislip  
2005110 | 155



SP4 Luminis White Seda Antislip  
2005142 | 160



# SP5

These pieces are sold by unit



SP5 50150 Seda Antislip  
2005136 | 155



SP5 50250 Seda Antislip  
2005114 | 155



SP5 50254 Seda Antislip  
2005133 | 155



SP5 Bali Stone Matte  
2005328 | 450



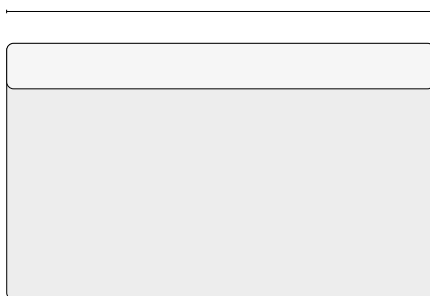
SP5 50153 Seda Antislip  
2005138 | 155



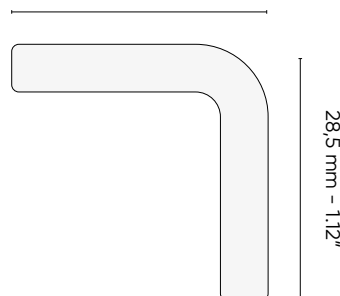
SP5 Luminis White Seda Antislip  
2005143 | 160



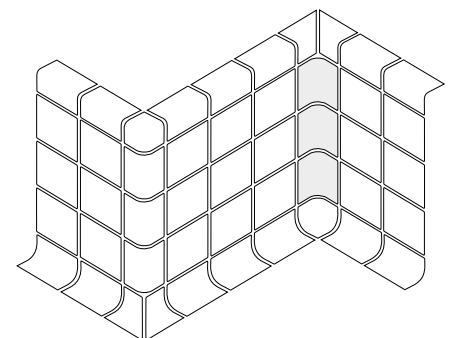
50 mm - 2"



28,5 mm - 1.12"



28,5 mm - 1.12"









# Packing List

## P8 Step

|                          |                           |                                  |                       |
|--------------------------|---------------------------|----------------------------------|-----------------------|
| Sheet   Hoja             | 5,5 mm - 0.216" Thickness | 50x28,5x28,5 mm - 2"x1,12"x1,12" |                       |
| Box   Caja               | 96 Sheets                 | 5 m - 16.40 ft                   | 3,1 kg - 6.83 lb      |
| Pallet   Palet           | 180 Boxes                 | 900 m - 2952.76 ft               | 561,7 kg - 1238.33 lb |
| Euro Pallet   Euro Palet | 200 Boxes                 | 1000 m - 3280.84 ft              | 634,8 kg - 1399.49 lb |

## P8 Cove

|                          |                           |                              |                       |
|--------------------------|---------------------------|------------------------------|-----------------------|
| Sheet   Hoja             | 5,5 mm - 0.216" Thickness | 50x30x30 mm - 2"x1,18"x1,18" |                       |
| Box   Caja               | 96 Sheets                 | 5 m - 16.40 ft               | 3,1 kg - 6.83 lb      |
| Pallet   Palet           | 180 Boxes                 | 900 m - 2952.76 ft           | 561,7 kg - 1238.33 lb |
| Euro Pallet   Euro Palet | 200 Boxes                 | 1000 m - 3280.84 ft          | 634,8 kg - 1399.49 lb |

## Special Pieces

SP1, SP2, SP3, SP4, SP5 are sold by Unit.

